

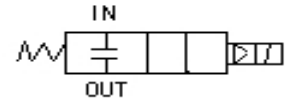
PNEUMATRON

www.pneumatron.co.za

sales01@pneumatron.co.za

2/2 Industrial Solenoid Valve DHD11Series ,Diaphragm Pilot Operated (N.C)

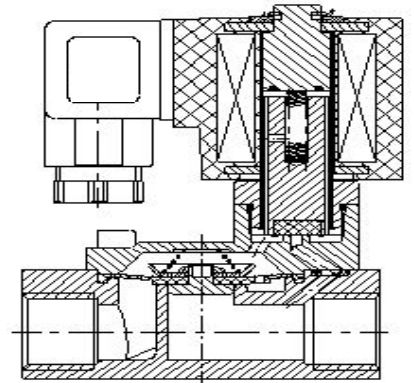
- Characteristics:**
1. Pilot operated diaphragm construction with power, consumption for longtime
 2. Applied to pressure system opened from 0.3 bars
 3. Lifespan can be at 1 million cycles



- Medium:** Water, Oil, Natural gas, Hot water
Temperature: NBR: -10°C to 80°C(Standard)
 EPDM: -20°C to 120°C
 VITON: -10°C to 140°C
Pressure: DHD11 - 0.3 to 12Bar(VAC)
Body: Brass
Port Size: 1 1/4", 1 1/2"
Orifice (mm): DN 15, 20, 25, 32, 40, 50
Coil voltages: 24VDC/220VAC
Coils: 30A(26VA-220VAC/14Watt- 24VDC)
Special coils: PD22 SERIES can match with explosion-proof coil EX1621 (AC 220V, DC 24V)



- Material:**
 Body- Brass
 Seal: NBR, (Optional- EPDM, PTFE or VITON)
 Armature Tube: Stainless Steel 304
 Plunger - Stainless Steel 430F
 Springs - SS 304
 Shading Rings - Stainless Steel 304



DHD11 Series - Normally Closed, with CDHRS - 30A coil

Port Size	Orifice	Kv	Min Pressure	Max Pressure		Seals Material	Body Material	Valve No:	Coil
				AC(22VA)	DC(15W)				
1 1/4"	32	20,40	0.3Bar	12Bar	8Bar	NBR, 80 Deg C	Brass	DHD11BH32S12V	30A
1 1/2"	40	24,10	0.3Bar	12Bar	8Bar			DHD11BH40S14V	30A

PNEUMATRON

www.pneumatron.co.za

sales01@pneumatron.co.za

2/2 Industrial Solenoid Valve DHD11Series ,Diaphragm Pilot Operated (N.C)

BODY DIMENSION CODE(Size in mm)				Valve Body
A	B	C	G	
130	84	131	1 1/4"	DHD11BH32S12V
145	95	142	1 1/2"	DHD11BH40S14V

