

PNEUMATRON

www.pneumatron.co.za

sales01@pneumatron.co.za

PAV Reduced Bore Series Electric Ball Valve - 3 Wire Control ELECTRIC MOTOR - 3/2 Way Detend BRASS BALL VALVE

PLEASE NOTE

There are Electronic Boards inside these valve actuators and therefore they cannot be mounted on vibrating surfaces or pipes. Mount them on a fixed surface and connect to the generator with rubber hoses.

SPECIFICATIONS:

Media: Clean Drinking/Municipal Water

Body & Seal: Brass & EPDM

Ball Seat: PTFE (Teflon)

Pressure: 0 to 16 Bar

Ambient temp: -10°C < t < 40°C

Media temp: 2 to 95°C

Voltages: 220VAC, 24VDC, 12VDC

Power consumption: 6VA

Wiring: W2 - 3 Wire Control Detend

Actuator Protection: IP54 (NOT WATERPROOF)



PAV Electric Ball Valves are tested in a test bench for a minimum of 30 cycles before being released for sale.

Port (BSP)	Orifice size (mm)	Function	Pressure Range	Max Power	Complete Valve Part Number
1/2"	10	Detend	0 to 16 Bar	6VA	PAV315 (V315 + A60W2DX)
3/4"	13				PAV320 (V320 + A60W2DX)
1"	17				PAV325 (V325 + A60W2DX)
1 1/2"	30				PAV340 (V340 + A60W2DX)

The Complete Valve Part Number consists of two parts, the valve body and the electric actuator:

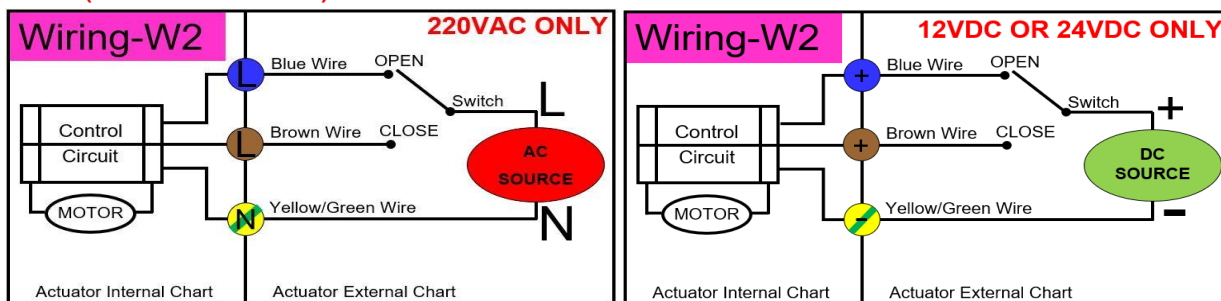
V3XX (Valve Body) & A60W2D1/D2/D4 (Electric Actuator)

V3XX - Describes port/pipe size (V315, V320, V325, V340)

DX - Describes voltage (D1=AC220V, D2=DC24V, D4=DC12V)

Wiring:

Detend (3 Wire 2 Point Control)



To Open Valve: Connect SW to Blue Wire to Open the Valve. Once Valve has fully opened it will automatically power off. The valve will remain in fully Open Position.

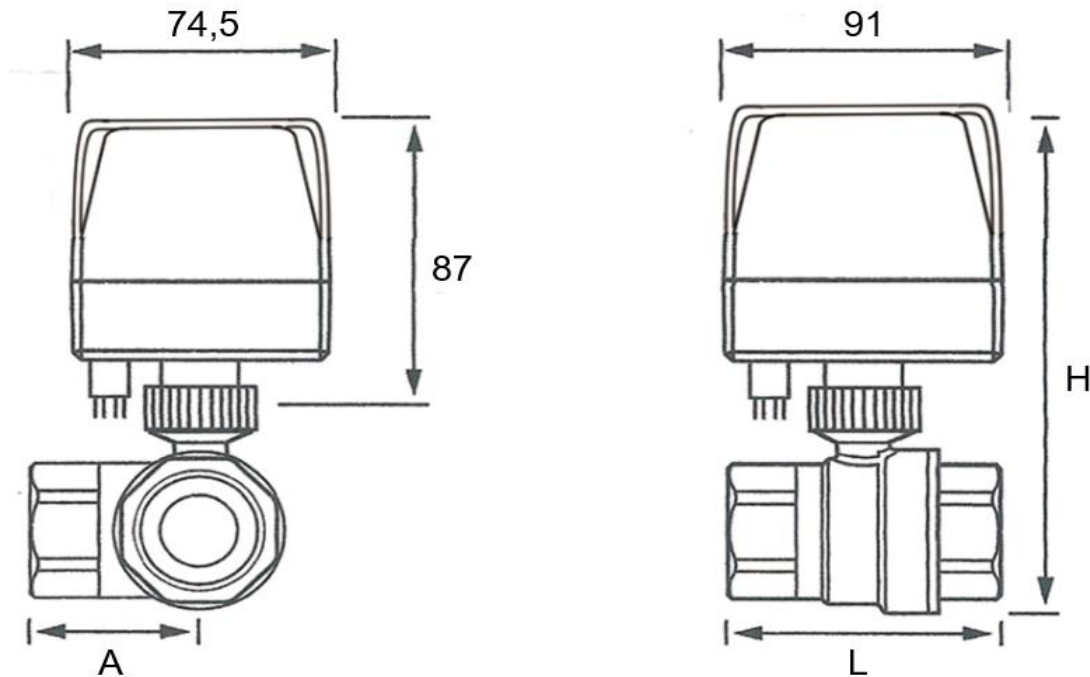
To Close Valve: Connect SW to the Brown Wire to Close the Valve. Once Valve has completely closed it will automatically switch off. The valve will remain in the Closed Position.

PNEUMATRON

www.pneumatron.co.za

sales01@pneumatron.co.za

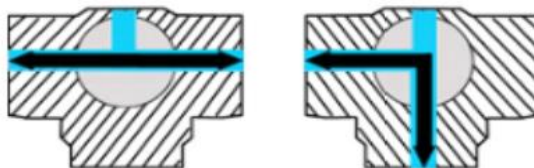
PAV Reduced Bore Series Electric Ball Valve - 3 Wire Control ELECTRIC MOTOR - 3/2 Way Detend BRASS BALL VALVE



BODY DIMENSION CODE (Size in mm)

Part Number	Port	Bore	A	L	H
PAV315	1/2"	10	30	56	124
PAV320	3/4"	13	32	64	133
PAV325	1"	17	41	79	138
PAV340	1 1/2"	30	60	119	169

Flow Diagram:



VALVE INSTALLATION INSTRUCTIONS

1. Please note the IP rating of this valve is IP54, it is NOT WATERPROOF.
2. The actuator should be covered with a plastic bag or water tight box should the valve be installed outside or where there is a possibility that water may come in contact with the actuator. Ideally valve should be installed under a roof or inside a building.
3. Mount valve in horizontal position with the actuator on top.
4. Check wiring diagram - Yellow/Green Wire should not be mistaken for Earth Wire. Yellow/Green Wire is connected to Neutral for AC Voltages or to Negative for DC Voltages.
5. Valve is recommended for clean drinking or municipale water. Some customers use the valve for rain water, grey water, pool water, or tank water (At Own Discretion).
6. The valve label will indicate the valve body material and the seal material. Never apply incompatible fluids or gasses with the body and seal material.