

PNEUMATRON

www.pneumatron.co.za

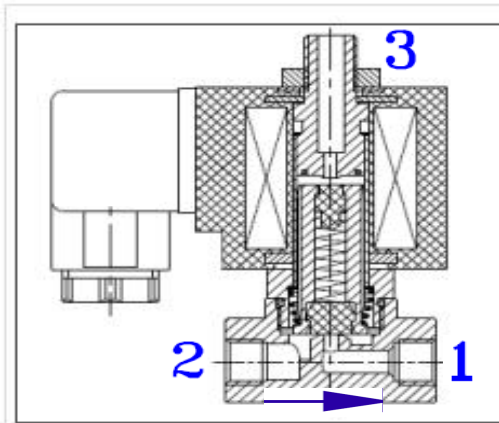
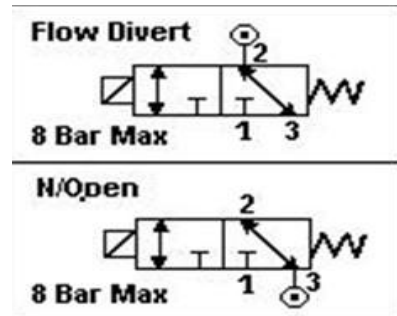
sales01@pneumatron.co.za

3/2 Industrial Solenoid Valve

PCG23 Series , 1/4" 3/2 Valves (N/OPEN or DIVERTER)

- Medium:** Air, Water, Steam, Oil, etc
- Temperature:** NBR: -10°C to 80°C
VITON: -10°C to 140°C
- Pressure:** PUN3 - 0.0 to 16Bar
- Port Size:** 1/4", 3/8", 1/8"
- Orifice (mm):** DN 2.5, 3.0, 3.5, 4.0, 5.0
- Coil voltages:** 12VDC/24VDC/220VAC
- Coils:** C19DXB, 17VA (AC), 14W (DC), IP65, 100%ED
- Material:**
Body- Stainless Steel
Seal: VITON, NBR, EPDM, PTFE
Armature Tube: Stainless Steel 304
Plunger - Stainless Steel 430F
Stop - SS430F
Springs - SS 304
Shading Rings - Stainless Steel 304

FUNTION CHART



PCG23 Series with Coils C19DXB

Port Size	Orifice	Kv	Min Pressure	Max Pressure		Seals Material	Body Material	Valve Body	Coil
				AC(17VA)	DC(14W)				
1/4"	2.5	0.26	0.0Bar	See Funtion Chart		VITON	S/S	PCG23SH02S02V	C19D

PNEUMATRON

www.pneumatron.co.za

sales01@pneumatron.co.za

3/2 Industrial Solenoid Valve PCG23 Series , 1/4" 3/2 Valves (N/OPEN or DIVERTER)

