

# PNEUMATRON

www.pneumatron.co.za

sales01@pneumatron.co.za

## 2/2 Industrial Solenoid Valve PD22 Series ,Diaphragm Pilot Operated (N.C)

- Characteristics:**
1. Pilot operated diaphragm construction with power, consumption for longtime
  2. Applied to pressure system opened from 0.3 bars
  3. Lifespan can be at 1 million cycles

**Medium:** Water, Oil, Natural gas, Hot water

**Temperature:** NBR: -10°C to 80°C  
EPDM: -20°C to 120°C  
VITON: -10°C to 140°C

**Pressure:** PD22 - 0.3 to 16Bar(VAC)

**Body:** Brass or Stainless Steel SUS304

**Port Size:** 1/2", 3/4", 1", 1 1/4", 1 1/2", 2"

**Orifice (mm):** DN 15, 20, 25, 32, 40, 50

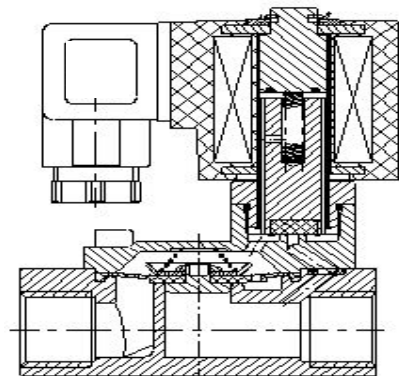
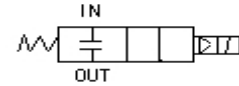
**Coil voltages:** 12VDC/24VDC/110VAC/220VAC/380VAC

**Coils:** C12DXB, 22VA (AC), 15W (DC), IP65, 100%ED-PD22 series

**Special coils:** PD22 SERIES can match with explosion-proof coil EX1621 (AC 220V, DC 24V)

**Material:**

Body- Brass or Stainless Steel  
Seal: NBR, EPDM, PTFE or VITON  
Armature Tube: Stainless Steel 304  
Plunger - Stainless Steel 430F  
Springs - SS 304  
Shading Rings - Stainless Steel 304



PD22 Series - Normally Closed, with C12DXB coil

Port Size	Orifice	Kv	Min Pressure	Max Pressure		Seals Material	Body Material	Valve No:	Coil
				AC(22VA)	DC(15W)				
1/2"	15	3,88	0.3Bar	16Bar	16Bar	NBR, EPDM, VITON	Stainless	PD22SH15S04V	C12D
3/4"	20	8,02	0.3Bar	16Bar	16Bar			PD22SH20S06V	C12D
1"	25	10,34	0.3Bar	16Bar	16Bar			PD22SH25S10V	C12D
1 1/2"	40	24,10	0.3Bar	16Bar	16Bar			PD22SH40S14V	C12D
2"	50	41,38	0.3Bar	16Bar	16Bar			PD22SH50S20V	C12D

# PNEUMATRON

www.pneumatron.co.za

sales01@pneumatron.co.za

## 2/2 Industrial Solenoid Valve PD22 Series ,Diaphragm Pilot Operated (N.C)

BODY DIMENSION CODE(Size in mm)					Valve Body
A	B	C	D	G	
73	48	93	13,5	1/2"	PD22SH15S04
83	60	114	16,5	3/4"	PD22SH20S06
100	70	126	21	1"	PD22SH25S10
130	92	140	28,5	1 1/2"	PD22SH40S14
156	113	155	34	2"	PD22SH50S20

