

# PNEUMATRON

[www.pneumatron.co.za](http://www.pneumatron.co.za)

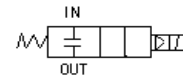
[sales01@pneumatron.co.za](mailto:sales01@pneumatron.co.za)

## 2/2 Industrial Solenoid Valve

### PDS22 S/Steel (316) Series, Diaphragm Pilot Operated (N.C)

**Characteristics:**

1. Pilot operated diaphragm construction with power, consumption for longtime
2. Applied to pressure system opened from 0.3 bars
3. Lifespan can be at 1 million cycles



**Medium:**

Water, Oil, Natural gas, Hot water

**Temperature:**

NBR: -10°C to 80°C

EPDM: -20°C to 120°C

VITON: -10°C to 140°C

**Ambient temperature:** 0°C~65°C

**Pressure:** PDS22 - 0.3 to 16 Bar (VAC)

**Body:** Stainless Steel SUS316

**Port size:** 1/2", 3/4", 1", 1 1/2", 2"

**Orifice (mm):** DN 15, 20, 25, 40, 50

**Coil voltages:** 24VDC/220VAC

**Coils:** C13DXB, 22VA (AC), 13W (DC), IP65, 100%ED-PSD22 series



**Material:**

Body: Stainless Steel (316)

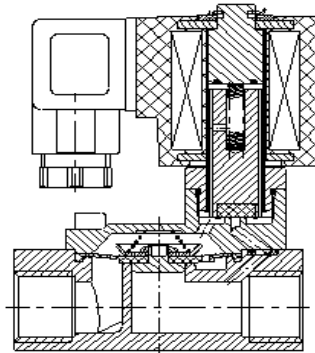
Seal: VITON

Armature Tube: Stainless Steel 304

Plunger - Stainless Steel 430F

Springs - SS 304

Shading Rings - Stainless Steel 304



**PDS22 (316) Series - Normally Closed, with C13DXB coil**

Port Size	Orifice	Kv	Min Pressure	Max Pressure		Seals Material	Body Material	Valve No:	Coil
				AC(22VA)	DC(13W)				
1/2"	15	3.88	0.3Bar	16Bar	16Bar	VITON	Stainless 316	PDS22SH15S04V	C13DX
3/4"	20	8.02	0.3Bar	16Bar	16Bar			PDS22SH20S06V	C13DX
1"	25	10.34	0.3Bar	16Bar	16Bar			PDS22SH25S10V	C13DX
1 1/2"	40	24.10	0.3Bar	16Bar	16Bar			PDS22SH40S14V	C13DX
2"	50	41.38	0.3Bar	16Bar	16Bar			PDS22SH50S20V	C13DX

# PNEUMATRON

[www.pneumatron.co.za](http://www.pneumatron.co.za)

[sales01@pneumatron.co.za](mailto:sales01@pneumatron.co.za)

## 2/2 Industrial Solenoid Valve

### PDS22 S/Steel (316) Series, Diaphragm Pilot Operated (N.C)

BODY DIMENSION CODE(Size in mm)				Valve Body
A	B	H	D	
66	48	112	15 (1/2")	PDS22SH15S04V
75	58	118	20 (3/4")	PDS22SH20S06V
96	70	131	25 (1")	PDS22SH25S10V
131	96	146	40 (1 1/2")	PDS22SH40S14V
165	120	167	50 (2")	PDS22SH50S20V

