

PNEUMATRON

www.pneumatron.co.za

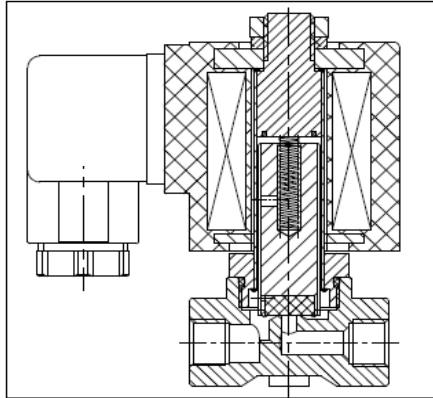
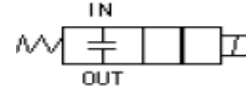
sales01@pneumatron.co.za

2/2 Industrial Solenoid Valve PSM22 Series , Direct Acting (N.C)

Characteristic:

1. Direct acting miniature construction at low power consumption
2. Compact design to save the space
3. Applied to low pressure system, open from 0 bar

Medium: Air, Water, Steam, Oil, etc
Temperature: VITON: -10°C to 140°C
Pressure: 3mm: 0 to 16 Bar
 5mm: 0 to 8 Bar
 6mm: 0 to 7 Bar
Body: Stainless Steel sus304
Port Size: 1/4" (3mm) or 3/8" (5/6mm)
Orifice (mm): 3.0, 5.0, 6.0
Coil voltages: 12VDC, 24VDC, 24VAC, 110VAC, 220VAC, 380VAC
Coils: C19DXB, 17VA (AC), 14W (DC), IP65, 100%ED



PSM22 Series, Normally Closed with Coils C19D

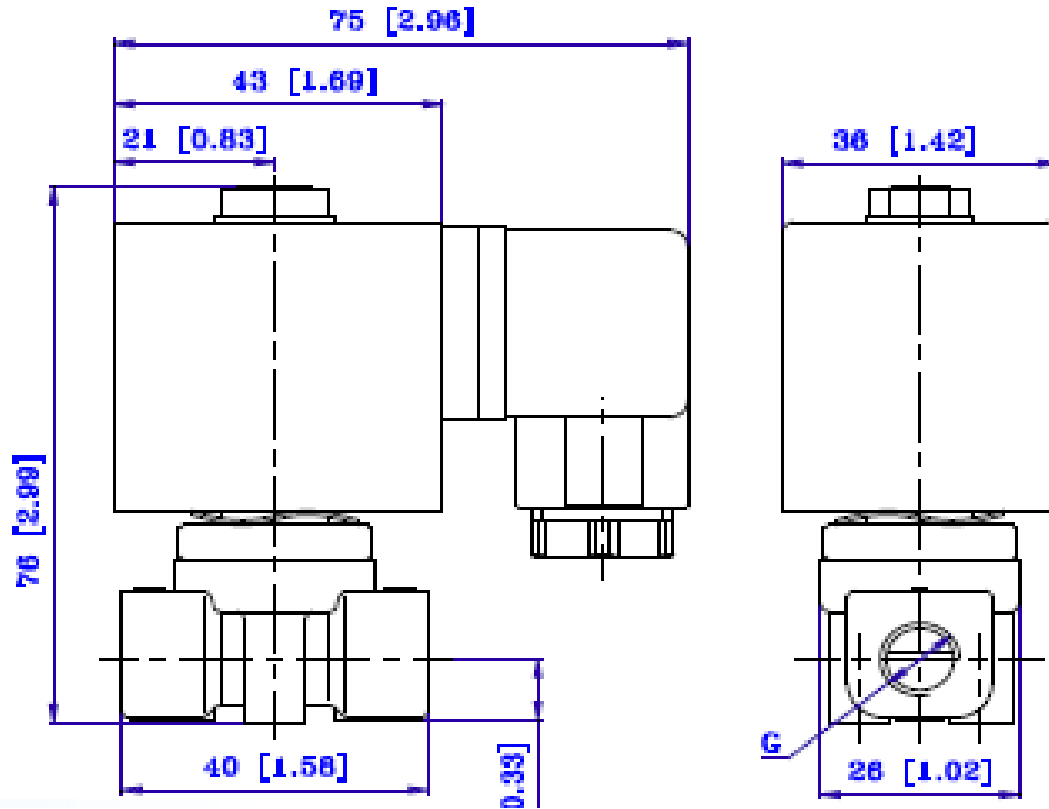
Port Size	Orifice	Kv	Min Pressure	Max Pressure		Seals Material	Body Material	Valve Body	Coil
				AC(17VA)	DC(14W)				
1/4"	3	0.26	0.0Bar	16 Bar	16 Bar	VITON	S/S	PSM22SH03S02V	C19D
3/8"	5	0.61	0.0Bar	8 Bar	8 Bar	VITON	S/S	PSM22SH05S03V	C19D
3/8"	6	0.69	0.0Bar	7 Bar	7 Bar	VITON	S/S	PSM22SH06S03V	C19D

PNEUMATRON

www.pneumatron.co.za

sales01@pneumatron.co.za

2/2 Industrial Solenoid Valve PSM22 Series , Direct Acting (N.C)



FOR 3/8 VALVE SOME SIZES ARE A LITTLE LARGER(COMPARED TO ABOVE SIZES):

1/4 Valve	3/8" Valve
40mm	42mm
26mm	28mm